

# ZETA 2.3"

Recessed | Architectural LED Linear

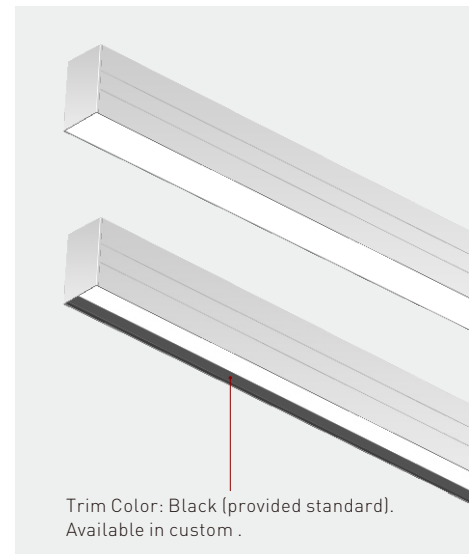


Zeta 2.3" is available in recessed mount. It is available in 2.3" width with 2ft, 3ft, 4ft and 8ft lengths options, simply provide linear, powerful lighting to any atmosphere. This linear lighting features a streamlined linear form factor designed for maximum versatility. With their superior flexibility by wattage selectable and CCT adjustable, Zeta products create a balance between esthetics, visual comfort and lighting performance, designed to meet the most demanding lighting challenges.

It is architectural recessed lighting solution that compatible with most 15/16" and 9/16" t-grid ceiling or dry ceiling , widely used in office spaces, major retail stores, education, government, healthcare, and hospitality.

## Feature

- Trimless design
- Application flexibility, T-grid or dry ceiling compatible
- Continuous runs or custom pattern
- Available in 2ft, 3ft, 4ft and 8ft, up to 1000lm/ft
- Wattage selectable (50%/75%/100%)
- CCT adjustable from 3000K, 3500K, 4000K
- UL listed, damp rated, 5 years limited warranty



## PERFORMANCE

Lens	Lumen Package		
	High	Medium	Low
Flat Lens	1000lm/ft, 10w/ft	750lm/ft, 7.5w/ft	500lm/ft, 5w/ft
Regressed Lens	800lm/ft, 10w/ft	600lm/ft, 7.5w/ft	400lm/ft, 5w/ft

Above are subject to 3500K.  
All efficacy is ±5% base on different CCT and wattage. Check the IES file to gain the accurate data .

# ZETA 2.3"

Recessed | Architectural LED Linear



## PRODUCT PERFORMANCE

### ► Optics

Fully- uniform flat lens or regressed lens, provide uniform, low-glare illumination to create a clean, modern environment.

### ► Finish

Extruded aluminum housing with powder coat white or black.

### ► Electrical

LED Driver	It is powered by Class 2 high efficiency LED driver, with a standard 0-10V dimming which works with many types of controls, 10% (provided standard), 1% (optional). Tested Dimmers: Lutron® Diva-Dvtv, Leviton® IP-710-DL.
THD	<20%
Power Factor	>0.9
Input Voltage	Standard electronic drivers are cULus recognized and 110-277V (provided standard), 110-347V (optional)

### ► Mounting

Recessed. Optional suspended or surface.

### ► LED System

CRI	Minimum 80 color rendering index
CCT	CCT adjustable from 3000K, 3500K and 4000K with a great color consistency.
LED	Life Minimum 50,000h with 87.8% of lumen maintenance in 25°C ambient temperature, in compliance with IES LM-80 testing measurements.
Environment	Damp rated in operating ambient temperatures of -20-40°C.

### ► Approvals

- cULus listed for damp locations
- 5 years limited warranty

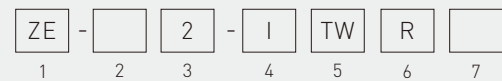
### ► Optional Function

Emergency Option	Optional OKT high voltage emergency LED driver can be provided. When AC power fails, it immediately switches to the emergency mode, operating for lighting up to 120 minutes. When AC power is restored, it automatically returns to the charging mode which meets critical life-safety lighting requirements. For more info or spec sheet, please visit our website or contact sales. Recommended OKT model: EM-H08170-LBF, EM-H25170-LBF
Occupancy Sensor	We can provide a factory-installed integrated sensor system for multi-level control based on motion and/or daylight contribution with BR1810BI-level & daylight harvest microwave sensor from SHARKWARD. For more info or spec sheet, please contact sales.

## PRODUCT ORDERING GUIDE

### Sample

ZE-4 2 - I TW R D



### 1. Base Model

ZE ZETA

### 2. Length

- 2 2 feet  
 3 3 feet  
 4 4 feet  
 8 8 feet

### 3. Width

2 2.3 inch

### 4. Driver

I Internal

### 5. CCT

TW CCT Adjustable (3000K,3500K,4000K)

### 6. Mounting

R Recessed

### 7. Optics Options

- D Flat Lens  
 T Regressed Lens

## OPTIONAL ORDERING GUIDE

### Application

- Dry Ceiling  
 T-Grid / Drop Ceiling

### Joiner Options

- "—" Joiner  Illuminated "L" Joiner  
 42' Continuous rolling lens

### Optional Functions

- Emergency LED Driver\* (Order Separated)  
 Occupancy Sensor \* (Order Separated)

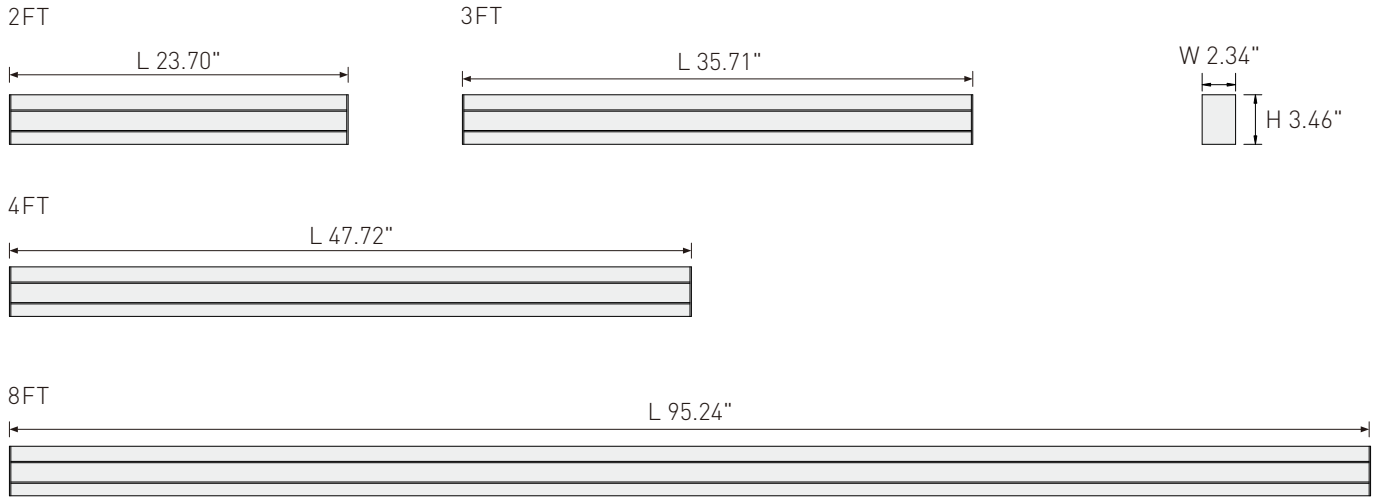
\*Additional cost and/or lead time on customized fixtures may apply. Some fixtures require an MOQ. Please contact your sales rep for more information.

# ZETA 2.3"

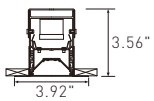
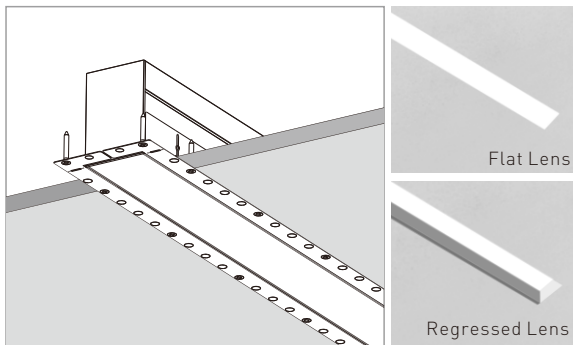
Recessed | Architectural LED Linear



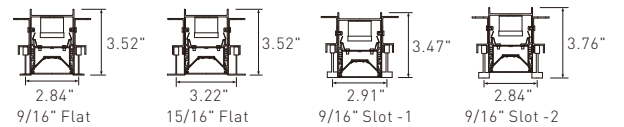
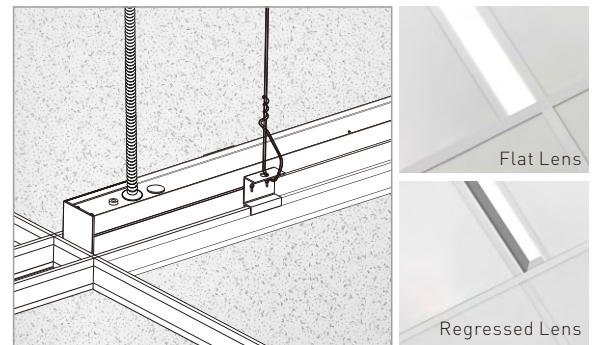
## DIMENSIONS



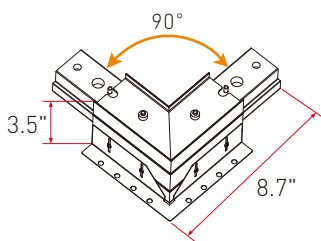
## RECESSED IN DRY CEILING



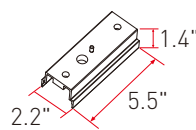
## RECESSED IN GRID CEILING



## JOINER OPTIONS



Illuminated "L" Joiner



"-" pattern

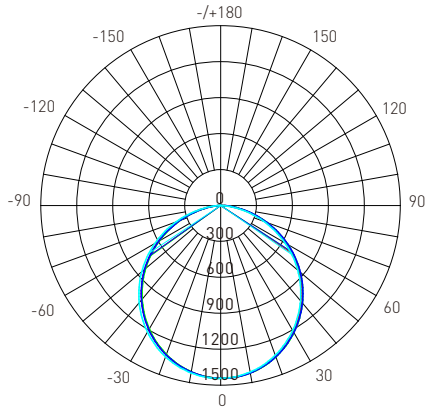
# ZETA 2.3"

Recessed | Architectural LED Linear



## DISTRIBUTION DIAGRAM

4' / Flat Lens / 35000K



AVERAGE BEAM ANGLE(50%): 111.3°

Test Number: ZE-42-ITWRD  
 Lumens: 4069.1 Lms  
 Watts: 39.05 W  
 LPW: 104.21 Lm/W  
 CCT: 3500K

UNIT: cd  
 C0/180, 110.8°  
 C30/210, 111.1°  
 C60/240, 111.6°  
 C90/270, 111.7°

Zonal Flux Diagram

τ	C0	C45	C90	C135	C180
10	1418	1421	1412	1398	1411
20	1340	1346	1331	1303	1327
30	1215	1225	1204	1164	1195
40	1049	1064	1038	988.4	1026
50	852.4	870.0	840.6	783.6	826.6
60	629.7	649.8	617.5	555.5	603.1
70	391.9	412.3	377.6	316.3	365.5
80	162.5	178.2	145.8	98.44	139.5
90	2.417	8.146	0.2768	0.4688	0.9405
100	0.5822	0.5917	0.6472	0.7610	0.6802
110	1.012	1.048	1.172	1.246	1.138
120	1.530	1.577	1.753	1.778	1.633
130	2.021	2.104	2.307	2.298	2.124
140	2.524	2.612	2.799	2.780	2.595
150	3.936	3.052	3.178	3.148	3.016
160	3.376	3.422	3.497	3.478	3.442
170	3.769	3.686	3.712	3.724	3.716
180	3.894	3.751	3.759	3.755	3.904

DEG LUMINOUS INTENSITY:cd

Zonal Lumens

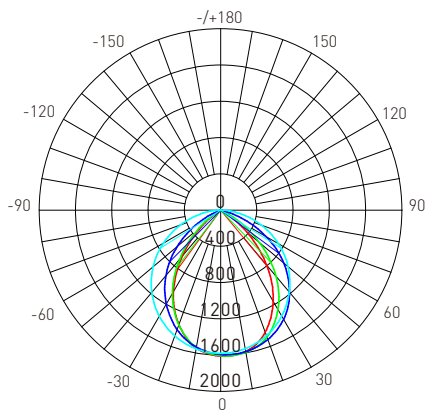
τ	φ total
0-10	136.4
10-20	526.2
20-30	1115
30-40	1822
40-50	2553
50-60	3211
60-70	3708
70-80	3986
80-90	4058
90-100	4059
100-110	4060
110-120	4061
120-130	4063
130-140	4064
140-150	4066
150-160	4068
160-170	4069
170-180	4069

UNIT: lm

Luminance cd/(m2)

G(DEG)	C0/180	C90/270
85	10884	8777
80	13119	11617
75	14803	13683
70	16064	15274
65	16980	16310
60	17655	17084
55	18170	17649
50	18591	18090
45	18924	18435

4' / Regressed Lens / 35000K



AVERAGE BEAM ANGLE(50%): 92.7°

Test Number: ZE-42-ITWRD  
 Lumens: 3185.1 Lms  
 Watts: 39.18 W  
 LPW: 81.30 Lm/W  
 CCT: 3500K

UNIT: cd  
 C0/180, 75.9°  
 C30/210, 81.3°  
 C60/240, 98.3°  
 C90/270, 115.4°

Zonal Flux Diagram

τ	C0	C45	C90	C135	C180
10	1583	1593	1552	1494	1546
20	1434	1513	1475	1304	1347
30	1163	1339	1349	1044	1044
40	790.0	1073	1178	714.1	652.8
50	382.2	734.4	972.0	357.8	253.6
60	60.93	354.3	733.4	66.49	9.481
70	3.607	50.38	472.8	3.429	1.964
80	1.129	3.391	209.4	1.111	0.5673
90	0.2172	0.8545	0.4901	0.1488	0.1127
100	0.1263	0.1488	0.6813	0.2888	0.1309
110	0.1532	0.3044	1.232	0.7484	0.2482
120	0.4461	0.7326	1.867	1.429	0.6274
130	1.000	1.326	2.485	2.185	1.259
140	1.740	2.047	2.990	2.888	2.048
150	2.579	2.800	3.400	3.436	2.864
160	3.454	3.432	3.725	3.853	3.604
170	4.080	3.887	3.937	4.115	4.176
180	4.329	4.088	3.973	4.031	4.324

DEG LUMINOUS INTENSITY:cd

Zonal Lumens

τ	φ total
0-10	150.3
10-20	574.1
20-30	1189
30-40	1871
40-50	2474
50-60	2884
60-70	3092
70-80	3165
80-90	3176
90-100	3176
100-110	3177
110-120	3178
120-130	3179
130-140	3180
140-150	3182
150-160	3184
160-170	3185
170-180	3185

UNIT: lm

Luminance cd/(m2)

G(DEG)	C0/180	C90/270
85	91	14627
80	90	16749
75	110	18232
70	146	19198
65	212	19878
60	1692	20373
55	4751	20732
50	8259	21002
45	11457	21208